

# EverWatt IP64 120W 4.0 LED Corn Bulb (EW-IP64CB-120W-B1)

### GENERAL INFORMATION

- UL and DLC certified
- Epistar LED chips
- High lumens and CRI
- Auto sensing input voltage 100-277VAC
- Easy to install and operate
- Energy efficient
- Long service life of 50,000 hours
- Starts instantly with no flickering or humming



### APPLICATIONS

- shoe-boxes
- floodlights
- wallpack lights
- canopy lights
- high bay lights

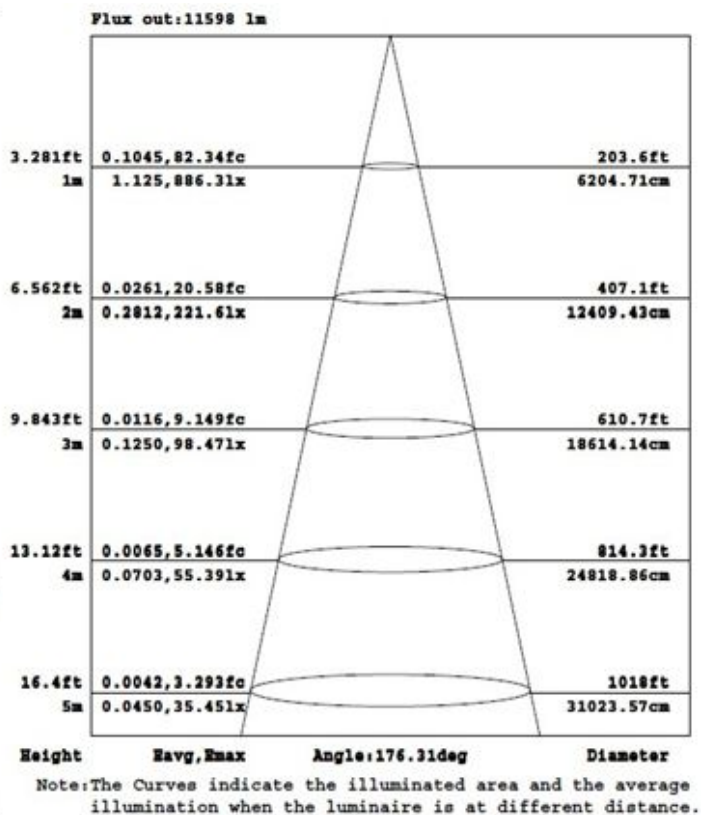
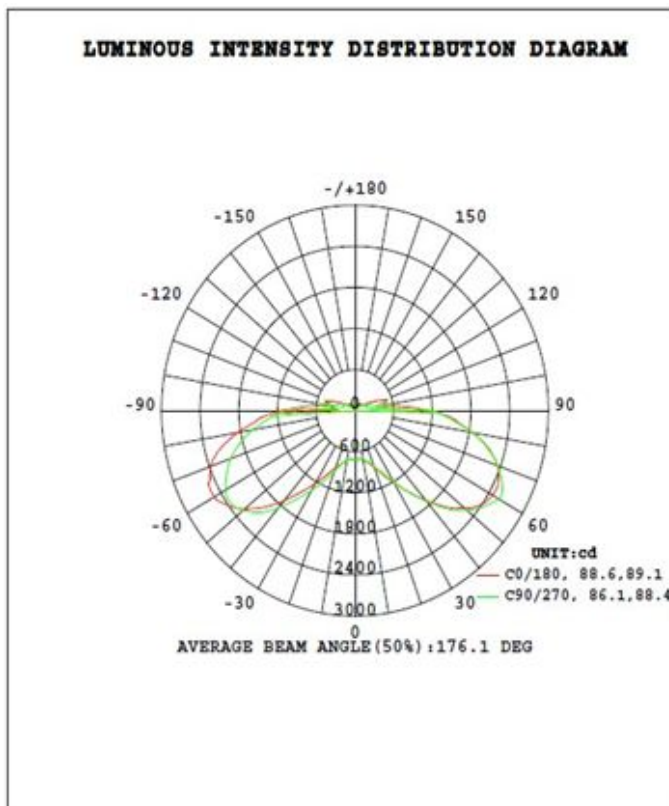
### PRODUCT SPECIFICATIONS

Product Name	EverWatt IP64 120W 4.0 LED Corn Bulb
Part No	(EW-IP64CB-120W-B1 4000K E39) (EW-IP64CB-120W-B1 4500K E39) (EW-IP64CB-120W-B1 5000K E39) (EW-IP64CB-120W-B1 5700K E39)
Light Type	LED Corn Bulb
Product Dimension	12" x 5"
Color temperatures	4000K/4500K/5000K/5700K
CRI	>80
Lumens (Enclosed) lm/W	12,985-13,675 114-116
Lumens (Not Enclosed) lm/W	13,800-16,368 115-136
Input Power	120W
Viewing Angle	360 degrees
Input Voltage	100V-277V AC 50Hz/60Hz
Driver	Internal driver
PFC	>0.9
Equivalent	900W incandescent/240W CFL/700-8000W HPS/MH
Waterproof Rating	IP64
Min. Enclosure Dimensions	17.3" x 10.2"
Enclosure	This bulb is designed to be installed in an enclosure if it is being used outside or in damp locations.
LED Brand	Epistar
LED Type	SMD2835
LED Amount	896
Housing	Plastic
Housing Color	White, Orange
Operating Temperature	-4°F TO 113°F
Operating Humidity	20%-90% RH
Storage Temperature	-22° F TO 176° F
Storage Humidity	10%-95% RH
Application	Street lights, Shoeboxes, Floodlights, Wall Packs, Canopy lights, High bays
Safety Certification	UL (E485355)
Warranty Time	5 Years

### LIGHT DISTRIBUTION PARAMETERS

Data of Lamp		Photometric data based on enclosed fixture at: 114.6 lm/W			
MODEL	EW-IP64CB-120W-B1	Imax (cd)	2876	S/MH(C0/180)	3.09
NOMINAL POWER (W)	120	LOR (%)	100.0	S/MH(C90/270)	2.95
RATED VOLTAGE (V)	120	TOTAL FLUX (lm)	13305	$\eta$ UP, DN(C0-180)	6.0,44.6
NOMINAL FLUX (lm)	13305.1	CIE CLASS	SEMI-D.	$\eta$ UP, DN(C180-360)	5.9,43.6
LAMPS INSIDE	1	$\eta$ up (%)	11.9	CIBSE SHR NOM	2.00
TEST VOLTAGE (V)	120.0	$\eta$ down (%)	88.1	CIBSE SHR MAX	0.00

	Size	Units/ Carton	Net Weight/ Carton	Gross Weight/ Carton
Inner box	13.3"x5.9"x5.9"	1 PC	2.7lb	3.1lb
Outer box	18.3"x12.4"x13.3"	6 PCS	16.3lb	20.9lb



**⚠ Warning:**

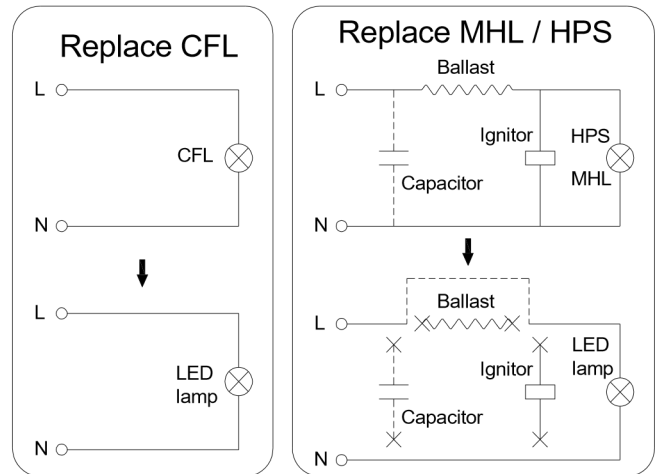
To avoid the risk of fire, explosion, or electric shock, this product should be installed, inspected, and maintained by a qualified electrician only, in accordance with all applicable electrical codes.

To avoid electric shock:

- Be certain electrical power is OFF before and during installation and maintenance.
- Luminaire must be connected to a wiring system with an equipment-grounding conductor.
- Make sure the supply voltage is the same as the rated luminaire voltage.
- Do not operate in ambient temperatures above those indicated.

**NOTICE**

- Make sure power is off before installing or changing any parts.
- Verify the input voltage matches the lamps operating voltage.
- Make sure to remove or bypass the ballast if needed before installing the lamp.
- After installing the lamp please make sure the wiring and the fixture are properly insulated.
- Suitable for damp locations.
- Do not use with dimmers.
- Suitable for use in enclosed luminaires, min. lamp compartment dimensions: 17.3" x 10.2"



**TROUBLESHOOTING**

Fixture Not Lighting?	Check points, make sure they are properly connected and power is on.
Flickering or Flashing?	Check connections and make sure they are properly connected. Make sure the supply voltage is the same as the rated fixture voltage. Turn off power for 3 minutes and try again.
Still not working?	Please contact us at: <a href="mailto:support@everwattlights.com">support@everwattlights.com</a> Or call us at (510)730-0062